

- ⓐ Safety Sticker
- ⓑ LED Indicator Lights
- ⓒ Case Alloy
- ⓓ Ultra Socket

Some people report that within the initial first few days after installing the Blushield Ultra, they feel low in energy or tired. This is a harmless transient condition and will pass. This is the body adapting to a new environment. Persist with this until it passes. Older persons who have poor health may take longer to adapt, in some cases up to six weeks.

Blushield does not remove EMF nor does it modify EMF. Using an EMF meter will not indicate any change in the environment. After you install the Blushield Ultra the numbers on any EMF meter will not alter, as their sole purpose is to measure electro-magnetic fields.

The Blushield Ultra is not a Wi-Fi blocker and will not interfere with your wireless devices.

Blood tests on humans and further testing on Chickens and Cows were used to determine Blushield's effectiveness.

Using the included power supply, select a suitable place to plug in the Blushield Ultra. Preferably in a central area in your home or office. Only use the included power supply as other third party power supplies may be the wrong voltage or polarity, potentially damaging the Ultra beyond repair. Using incorrect power supplies will void the warranty.

Do not install the Ultra in damp areas or bathrooms as there may be a risk of electric shock.

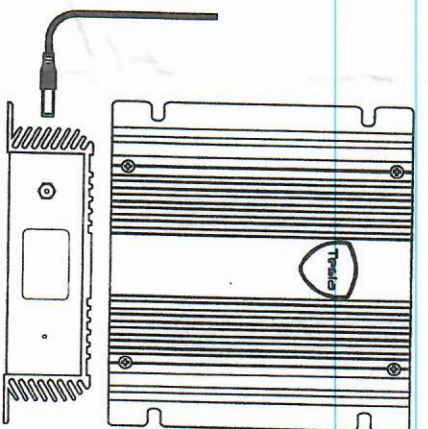
When inserting the power plug be sure not to force the plug all the way into the Ultra socket. Usually it will be a firm fit. Forcing the power plug into the Ultra socket may break the Ultra socket, which is not covered under warranty.

Using one Ultra per storey in an apartment, or one Ultra per house should be sufficient. Each Ultra will have a spherical coverage of up to 180m.

The Blushield Ultra is strictly for interior use only. It carries a warranty for a period of one year. This covers factory defects or faults. The warranty does not cover misuse, modification, neglect (water damage) or opening of the case. The warranty does not cover wear and tear on the power plug cord.

If a claim is made all postage costs are to be covered by the customer. A Blushield distributor will decide whether to repair or replace the product depending upon the fault.

CAUTION RISK OF ELECTRIC SHOCK: For interior use only. Do not use in damp or humid areas.



Once the power plug is inserted you will observe the LED indicator light for a few seconds. This will flash every 30 seconds - this is the normal function.

If you fail to see a flickering light make sure the power supply is turned on at the wall, and check that the power plug is in the socket.



Quick Start Guide

Tesla Gold Series Ultra

Blushield

www.blushield.global